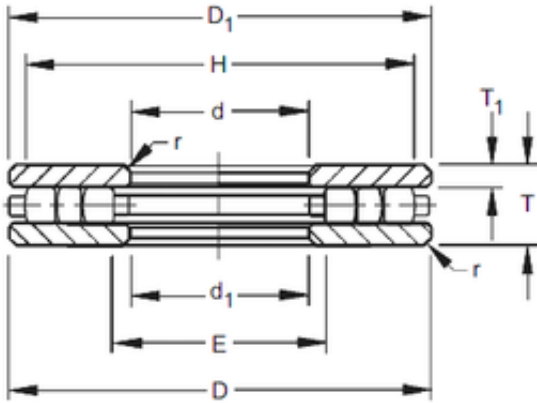




Timken 60TP126 thrust roller bearings

Bearing No. 60TP126



Size	152.4x279.4x50.8 mm
Bore Diameter	152,4 mm
Outer Diameter	279,4 mm
Width	50,8 mm
d	152,4 mm
D	279,4 mm
T	50,8 mm
r max	3,2 mm
T1	14,29 mm
d1	153,99 mm
D1	277,81 mm
E	166,7 mm
H	265,1 mm

60TP126 Bearing 2D drawings and 3D CAD models