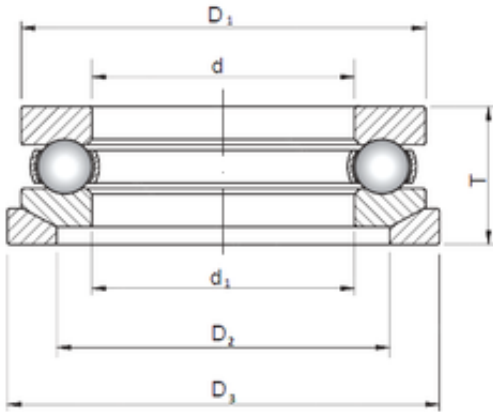




Lamar parts manufacturing company

ISO 53224U+U224 thrust ball bearings

Bearing No. 53224U+U224



Bore Diameter	120 mm
Outer Diameter	170 mm
d	120 mm
d1	123 mm
D	170 mm
D1	170 mm
T	46 mm
D2	145 mm
D3	175 mm

53224U+U224 Bearing 2D drawings and 3D CAD models