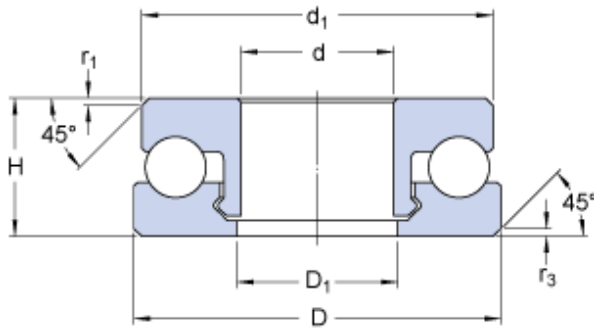




Lamar parts manufacturing company



SKF 51102 V/HR22T2 thrust ball bearings

Bearing No. 51102 V/HR22T2

Size	26x15x9 mm
Bore Diameter	26 mm
Outer Diameter	15 mm
Width	9 mm
d	15 mm
D	26 mm
H	9 mm
d ₁	27 mm
D ₁	13 mm
r ₁ - min.	0.2 mm
r ₃ - min.	0.5 mm
Basic dynamic load rating - C	0.55 kN
Basic static load rating - C ₀	0.44 kN
Limiting speed	460 r/min

51102 V/HR22T2 Bearing 2D drawings and 3D CAD models