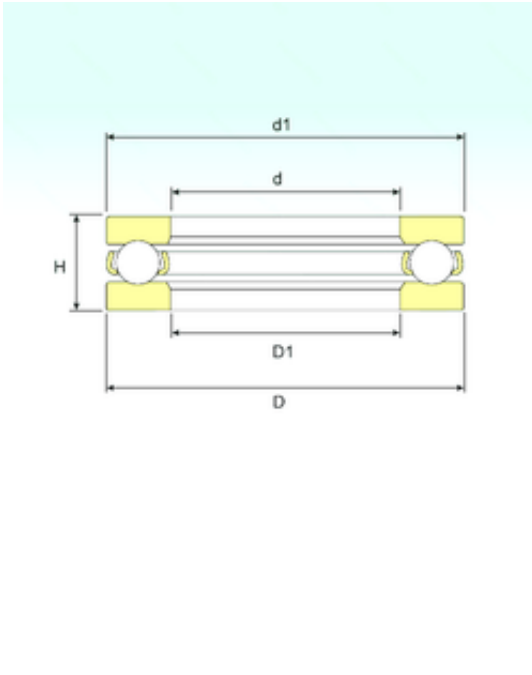




Lamar parts manufacturing company



51320 Bearing 2D drawings and 3D CAD models

ISB 51320 thrust ball bearings

Bearing No. 51320

Size	100x170x55 mm
Bore Diameter	100 mm
Outer Diameter	170 mm
Width	55 mm
d	100 mm
D	170 mm
H	55 mm
d1	170 mm
D1	103 mm
Weight	4,95 Kg
Basic dynamic load rating (C)	224 kN
Basic static load rating (C0)	598 kN
(Grease) Lubrication Speed	1454 r/min