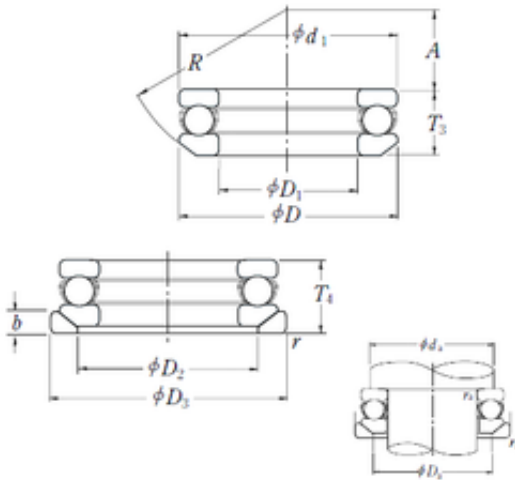




Lamar parts manufacturing company

NSK 53434XU thrust ball bearings

Bearing No. 53434XU



53434XU Bearing 2D drawings and 3D CAD models

Size	170x340x156 mm
Bore Diameter	170 mm
Outer Diameter	340 mm
Width	156 mm
d	170 mm
D	340 mm
T	156 mm
b	46 mm
d1	335 mm
r min.	5 mm
A	74 mm
D1	174 mm
D2	255 mm
D3	350 mm
R	250 mm
da min.	269 mm
Da max.	241 mm
ra max.	4 mm
Weight	73 Kg
Basic dynamic load rating (C)	715 kN
Basic static load rating (C0)	2480 kN
(Grease) Lubrication Speed	430 r/min
SRI	34.3
hidYobi	53434XU
LangID	1
D_	340



Lamar parts manufacturing company

SREX	0.21
C	715
B_	156
hidTable	ecat_NSSDTB
Oil rpm	630
SRE	34.3
mass	73
GRS rpm	430
ra	4
SRIX	0.21
T4	156
D_3	350
D_a	241
SRIN	0
C0	2480
D_2	255
SREN	0
D_1	174
Prod_Type3	TB_SD_WASW
da	269
DA_	63.5
Z_	10
yobi	53434XU
A_	74
T3	141
SDM_	255
r	5
KBRG	513
R_	250