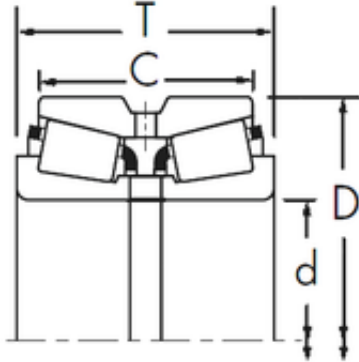




## Lamar parts manufacturing company

### Timken H247549/H247510CD+H247549XB tapered roller bearings



Bearing No. H247549/H247510CD+H247549XB

Size	234.95x384.175x238.125 mm
Bore Diameter	234,95 mm
Outer Diameter	384,175 mm
Width	238,125 mm
d	234,95 mm
D	384,175 mm
T	238,125 mm
C	193,675 mm
R	6,4 mm
r	1,5 mm

H247549/H247510CD+H247549XB Bearing 2D  
drawings and 3D CAD models