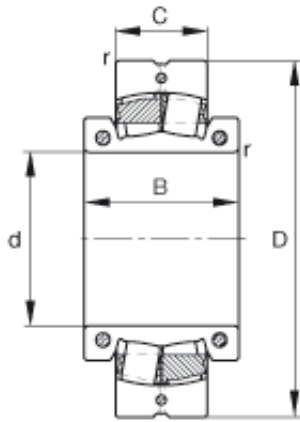




## Lamar parts manufacturing company



### 410 mm x 650 mm x 225 mm FAG 230SM410-MA spherical roller bearings

Bearing No. 230SM410-MA

Size	410x650x157 mm
Bore Diameter	410 mm
Outer Diameter	650 mm
Width	157 mm
d	410 mm
D	650 mm
C	157 mm
B	225 mm
$r_{\min}$	5 mm
m	222 kg / Weight
$C_r$	3100000 N / Dynamic load rating (radial)
e	0,21
$Y_1$	3,2
$Y_2$	4,77
$C_{0r}$	5850000 N / Static load rating (radial)
$Y_0$	3,13
$n_G$	370 1/min / Limiting speed
$C_{ur}$	425000 N / Fatigue limit load, radial
$F_{a \max}$	60000 N / Permissible axial load, for inner ring without axial abutment
$M_i$	295 Nm / Tightening torque per clamping screw

230SM410-MA Bearing 2D drawings and 3D CAD models



## Lamar parts manufacturing company

$M_a$	120 Nm / Tightening torque per clamping screw
	23088K / Designation, spherical roller bearing, unsplit
	H3088HG / Adapter sleeve