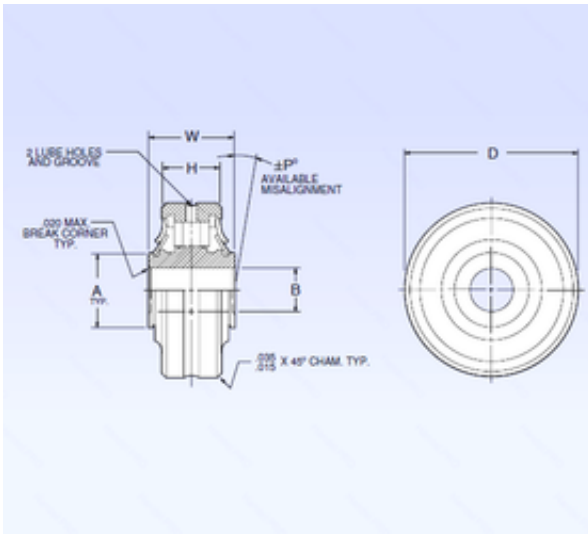




# Lamar parts manufacturing company

4,826 mm x 25,4 mm x 4,826 mm NMB ASR3-1 spherical roller bearings



Bearing No. ASR3-1

Size	4.826x25.4x12.7 mm
Bore Diameter	4,826 mm
Outer Diameter	25,4 mm
Width	12,7 mm
d	4,826 mm
D	25,4 mm
B	12,7 mm
C	8,738 mm
P	10 mm
A	10,668 mm
B	4,826 mm
H	8,738 mm
W	12,7 mm

ASR3-1 Bearing 2D drawings and 3D CAD models