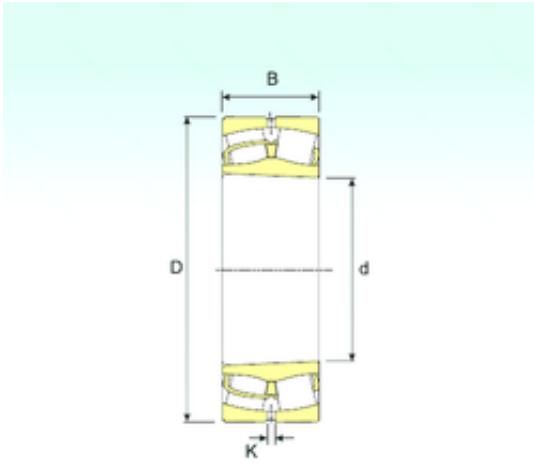




Lamar parts manufacturing company



240/670 K30 Bearing 2D drawings and 3D CAD models

670 mm x 980 mm x 308 mm ISB 240/670 K30
spherical roller bearings

Bearing No. 240/670 K30

Size	670x980x308 mm
Bore Diameter	670 mm
Outer Diameter	980 mm
Width	308 mm
d	670 mm
D	980 mm
B	308 mm
C	308 mm
K	12 mm
Weight	790 Kg
Basic dynamic load rating (C)	9800 kN
Basic static load rating (C0)	19992 kN
(Grease) Lubrication Speed	382,5 r/min