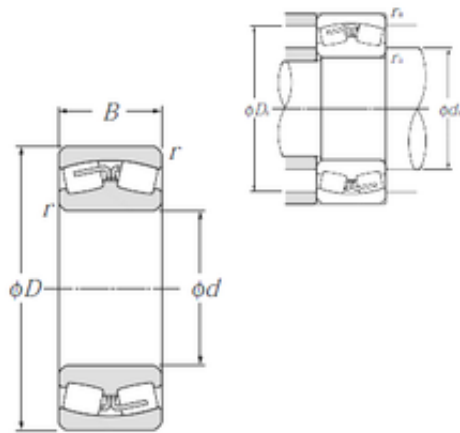




Lamar parts manufacturing company

260 mm x 480 mm x 174 mm NTN 23252B spherical roller bearings



Bearing No. 23252B

23252B Bearing 2D drawings and 3D CAD models

Size	260x480x174 mm
Bore Diameter	260 mm
Outer Diameter	480 mm
Width	174 mm
d	260 mm
D	480 mm
B	174 mm
C	174 mm
r min.	5 mm
da min.	282 mm
Da max.	458 mm
ra max.	4 mm
Weight	141 Kg
Basic dynamic load rating (C)	2 760 kN
Basic static load rating (C0)	4 700 kN
(Grease) Lubrication Speed	660 r/min
(Oil) Lubrication Speed	860 r/min
Calculation factor (e)	0,37
Calculation factor (Y0)	1,79
Calculation factor (Y1)	1,83
Category	Bearings
Inventory	0.0
Manufacturer Name	NTN
Minimum Buy Quantity	N/A
Weight / Kilogram	149



Lamar parts manufacturing company

EAN	4547359286441
Product Group	B04311