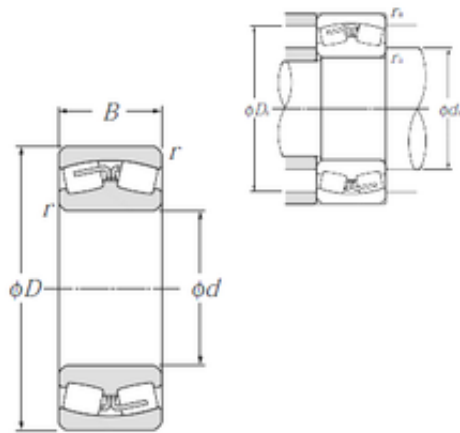




Lamar parts manufacturing company

500 mm x 670 mm x 128 mm NTN 239/500
spherical roller bearings



Bearing No. 239/500

Size	500x670x128 mm
Bore Diameter	500 mm
Outer Diameter	670 mm
Width	128 mm
d	500 mm
D	670 mm
B	128 mm
C	128 mm
r min.	5 mm
da min.	522 mm
Da max.	648 mm
ra max.	4 mm
Weight	131 Kg
Basic dynamic load rating (C)	2 370 kN
Basic static load rating (C0)	5 600 kN
(Grease) Lubrication Speed	430 r/min
(Oil) Lubrication Speed	560 r/min
Calculation factor (e)	0,17
Calculation factor (Y0)	3,93
Calculation factor (Y1)	4,02

239/500 Bearing 2D drawings and 3D CAD models