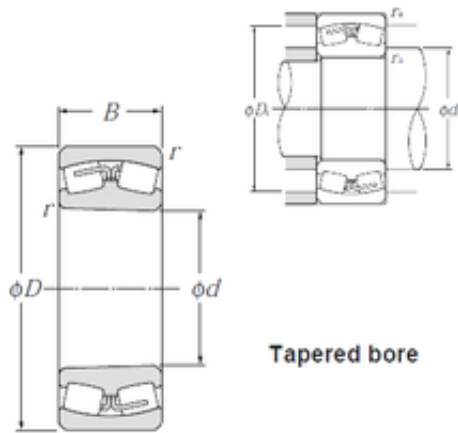




## Lamar parts manufacturing company



23240BK Bearing 2D drawings and 3D CAD models

200 mm x 360 mm x 128 mm NTN 23240BK  
spherical roller bearings

Bearing No. 23240BK

Size	200x360x128 mm
Bore Diameter	200 mm
Outer Diameter	360 mm
Width	128 mm
d	200 mm
D	360 mm
B	128 mm
C	128 mm
r min.	4 mm
da min.	218 mm
Da max.	342 mm
ra max.	3 mm
Weight	55,5 Kg
Basic dynamic load rating (C)	1 610 kN
Basic static load rating (C0)	2 640 kN
(Grease) Lubrication Speed	920 r/min
(Oil) Lubrication Speed	1 200 r/min
Calculation factor (e)	0,36
Calculation factor (Y0)	1,83
Calculation factor (Y1)	1,88
Category	Bearings
Inventory	0.0
Manufacturer Name	NTN
Minimum Buy Quantity	N/A
Weight / Kilogram	0



## Lamar parts manufacturing company

EAN	4547359286205
Product Group	B04311