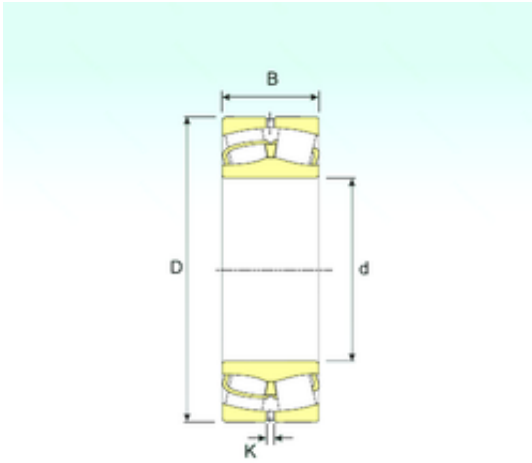




## Lamar parts manufacturing company



248/1120 Bearing 2D drawings and 3D CAD models

1120 mm x 1360 mm x 243 mm ISB 248/1120  
spherical roller bearings

Bearing No. 248/1120

Size	1120x1360x243 mm
Bore Diameter	1120 mm
Outer Diameter	1360 mm
Width	243 mm
d	1120 mm
D	1360 mm
B	243 mm
C	243 mm
K	12 mm
Weight	735 Kg
Basic dynamic load rating (C)	7105 kN
Basic static load rating (C0)	23520 kN
(Grease) Lubrication Speed	244,8 r/min