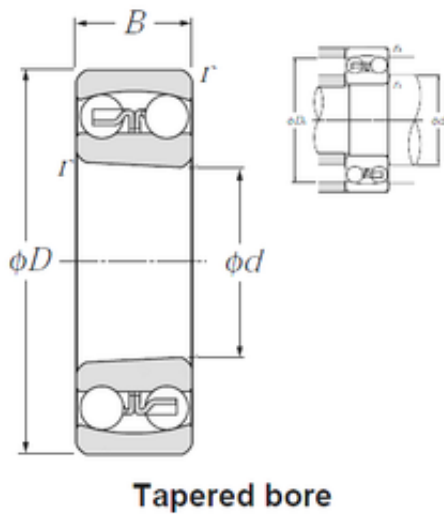




## Lamar parts manufacturing company



100 mm x 215 mm x 47 mm NTN 1320SK self aligning ball bearings

Bearing No. 1320SK

1320SK Bearing 2D drawings and 3D CAD models

Size	100x215x47 mm
Bore Diameter	100 mm
Outer Diameter	215 mm
Width	47 mm
d	100 mm
D	215 mm
B	47 mm
C	47 mm
r min.	3 mm
da min.	113 mm
Da max.	202 mm
ra max.	2,5 mm
Weight	8,46 Kg
Basic dynamic load rating (C)	140 kN
Basic static load rating (C0)	57,5 kN
(Grease) Lubrication Speed	2 800 r/min
(Oil) Lubrication Speed	3 400 r/min
Calculation factor (e)	0,24
Calculation factor (Y0)	2,8
Calculation factor (Y1)	2,7
B1	53 mm
rs min	3 mm
Associated sleeve reference	H320X
e	0.24
Y1	2.7



## Lamar parts manufacturing company

Y2	4.1
Y0	2.8
Radial clearance class	CN
Precision class	P0
Mass	8.46 kg
Dynamic load, C	140 kN
Static load, C0	57.5 kN
Nlim (oil)	3,400 rpm
Nlim (grease)	2,800 rpm
Min operating temperature, Tmin	-20 ° C
Max operating temperature, Tmax	120 ° C
da min	113 mm
da max	130 mm
db min	107 mm
Ce min	7 mm
Da max	202 mm
ra max	2.5 mm