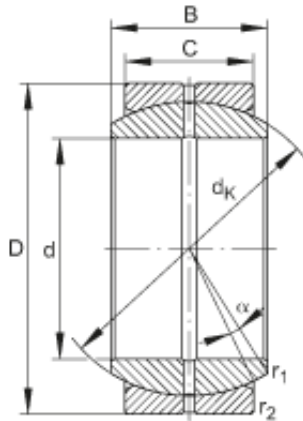




## Lamar parts manufacturing company



### INA GE70-DO plain bearings

Bearing No. GE70-DO

Size	70x105x49 mm
Bore Diameter	70 mm
Outer Diameter	105 mm
Width	49 mm
C	40 mm
$D_{a \min}$	87 mm
$d_{a \max}$	77,8 mm
$d_k$	92 mm
$r_{1s \min}$	1 mm
$r_{2s \min}$	1 mm
alf ( ° )	6
Weight (kg)	1,5
$C_r$ (N)	313000
$C_{0r}$ (N)	1560000
Category	Spherical Plain Bearings - Radial
Inventory	0.0
Manufacturer Name	SCHAEFFLER GROUP
Minimum Buy Quantity	N/A
Weight / Kilogram	1.856
EAN	4012802530780
Product Group	B04264
Self Aligning	Yes
Rolling Element	Spherical Plain
Material - Outer Member	Steel
Material - Ball	Steel

GE70-DO Bearing 2D drawings and 3D CAD models



## Lamar parts manufacturing company

Material - Liner	Not Applicable
Relubricatable	Yes
Enclosure	Open
Other Features	2 Piece   Single Axial Split in Outer Ring
Long Description	70MM Bore; 40MM Housing Width; 105MM Outside Diameter; Spherical Plain; Steel Outer Member; Steel Ball; No Liner; 49MM Overall Width; Relubricatable
Inch - Metric	Metric
Category	Plain Bearings Spherical Radial
UNSPSC	31171515
Harmonized Tariff Code	8483.30.80.70
Noun	Bearing
Keyword 3	Spherical
Keyword String	Plain Spherical Radial
Manufacturer URL	<a href="http://www.ina.com">http://www.ina.com</a>
Manufacturer Item Number	GE70DO
Weight / LBS	3.308
Housing Width	1.575 Inch   40 Millimeter
Overall Width	1.929 Inch   49 Millimeter
Outside Diameter	4.134 Inch   105 Millimeter
Bore	2.756 Inch   70 Millimeter