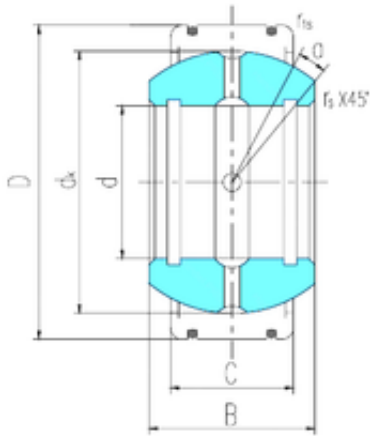




Lamar parts manufacturing company



50 mm x 110 mm x 80 mm LS GEK50XS-2RS
plain bearings

Bearing No. GEK50XS-2RS

Size	50x110x80 mm
Bore Diameter	50 mm
Outer Diameter	110 mm
Width	80 mm
d	50 mm
D	110 mm
B	80 mm
C	58 mm
dk	100 mm
r min.	1 mm
r1 min.	1 mm
Angle	17 °
Weight	3,81 Kg
Basic dynamic load rating (C)	493 kN

GEK50XS-2RS Bearing 2D drawings and 3D CAD models