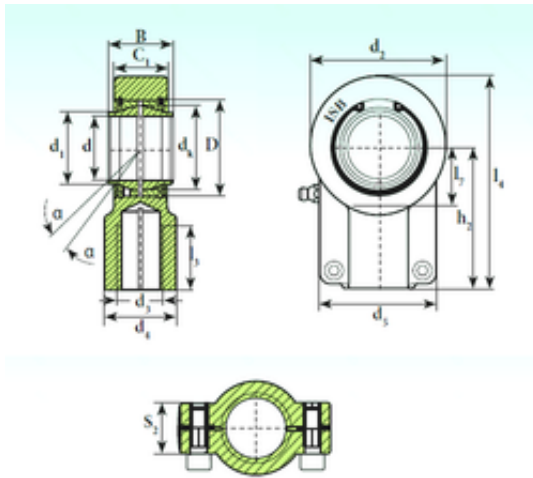




Lamar parts manufacturing company



TAPR 625 CE Bearing 2D drawings and 3D CAD models

25 mm x 42 mm x 25 mm ISB TAPR 625 CE plain bearings

Bearing No. TAPR 625 CE

Size	25x42x25 mm
Bore Diameter	25 mm
Outer Diameter	42 mm
Width	25 mm
d	25 mm
D	42 mm
B	25 mm
d1	30,5 mm
d2	58 mm
d4	30 mm
dk	35,5 mm
h2	65 mm
l3 min.	29 mm
l4 max.	96 mm
l7 min.	27 mm
C1	22 mm
S2	19 mm
Thread (G)	M20x1,5
Bolt (G)	M8x20
Angle	4 °
d5	54 r/min
Weight	0,62 Kg
Basic dynamic load rating (C)	48 kN