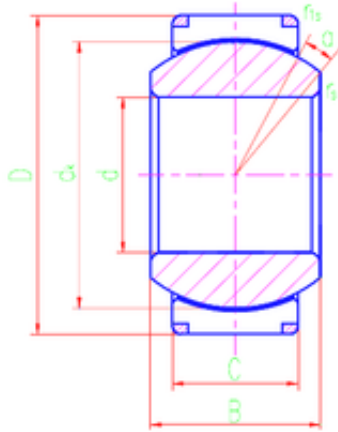




## Lamar parts manufacturing company

360 mm x 520 mm x 258 mm LS GEH360XT  
plain bearings



Bearing No. GEH360XT

Size	360x520x258 mm
Bore Diameter	360 mm
Outer Diameter	520 mm
Width	258 mm
d	360 mm
D	520 mm
B	258 mm
C	243 mm
dk	474 mm
r min.	1,1 mm
r1 min.	4 mm
Angle	2 °
Weight	213 Kg
Basic dynamic load rating (C)	20730 kN

GEH360XT Bearing 2D drawings and 3D CAD models