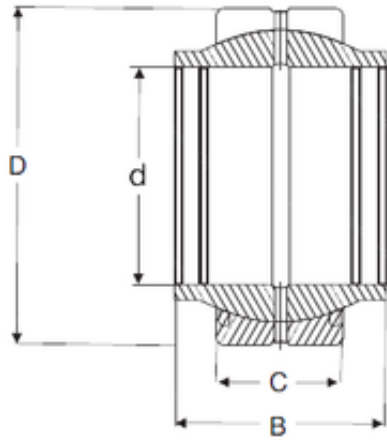




## Lamar parts manufacturing company

100 mm x 150 mm x 100 mm SIGMA GEG 100  
ES plain bearings



Bearing No. GEG 100 ES

Size	100x150x100 mm
Bore Diameter	100 mm
Outer Diameter	150 mm
Width	100 mm
d	100 mm
D	150 mm
B	100 mm
C	55 mm

GEG 100 ES Bearing 2D drawings and 3D CAD models