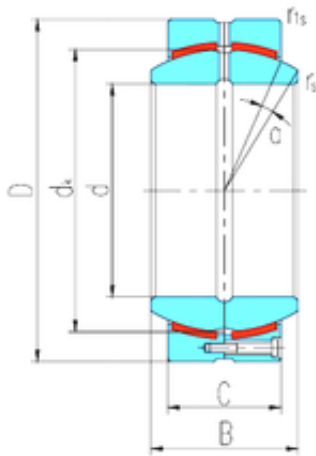




## Lamar parts manufacturing company



GEH340HCS Bearing 2D drawings and 3D CAD models

340 mm x 480 mm x 243 mm LS GEH340HCS  
plain bearings

Bearing No. GEH340HCS

Size	340x480x243 mm
Bore Diameter	340 mm
Outer Diameter	480 mm
Width	243 mm
d	340 mm
D	480 mm
B	243 mm
C	230 mm
dk	434 mm
r min.	1,1 mm
r1 min.	3 mm
Angle	2 °
Weight	163 Kg
Basic dynamic load rating (C)	9980 kN