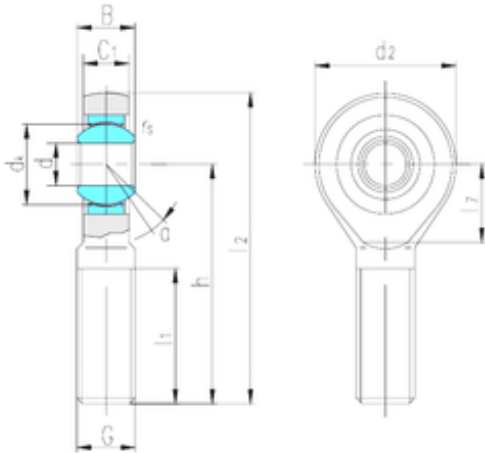




## Lamar parts manufacturing company

### LS SA20ET-2RS plain bearings



Bearing No. SA20ET-2RS

Bore Diameter	20 mm
d	20 mm
B	16 mm
d2	53 mm
dk	29 mm
h	78 mm
l1 min.	43 mm
l2 max.	104,5 mm
l7 min.	25,5 mm
r min.	0,3 mm
C1 max	13,5 mm
Thread (G)	M20 × 1,5
Angle	9 °
Weight	0,31 Kg
Basic dynamic load rating (C)	45 kN

SA20ET-2RS Bearing 2D drawings and 3D CAD models