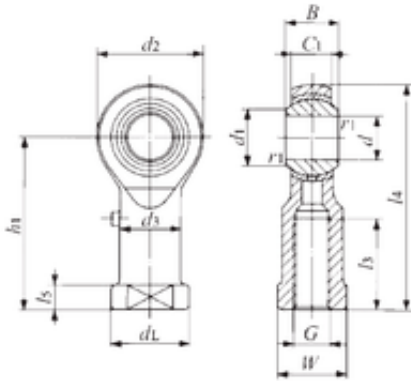




IKO PHS 22 plain bearings



Bearing No. PHS 22

Bore Diameter	22 mm
d	22 mm
L4	109 mm
L5	12 mm
dL	37 mm
L3	43 mm
d1	25,8 mm
d2	50 mm
d3	30 mm
dk	38,100 / mm
h1	84 mm
r1 min.	0,2 mm
B	28 mm
C1	20 mm
W	32 mm
Thread (G)	M22 × 1,5
Weight	0,49 Kg
Basic dynamic load rating (C)	37,4 kN

PHS 22 Bearing 2D drawings and 3D CAD models