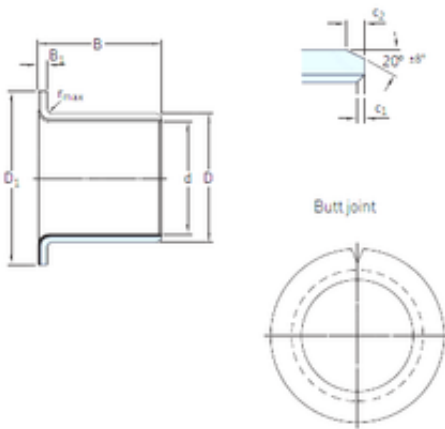




## Lamar parts manufacturing company

14 mm x 16 mm x 17 mm SKF PCMF 141617 E  
plain bearings



Bearing No. PCMF 141617 E

Size	14x16x17 mm
Bore Diameter	14 mm
Outer Diameter	16 mm
Width	17 mm
d	14 mm
D	16 mm
B	17 mm
c1 min	0,1 mm
c2 min	0,2 mm
r max	1 mm
B1	1 mm
D1	22 mm
Weight	0,0075 Kg
Dynamic load rating radial (C)	16,6 kN
Dynamic load rating axial (C)	10 kN
Static load rating radial (C0)	52 kN
Category	Plain Bearings
Inventory	0.0
Manufacturer Name	SKF
Minimum Buy Quantity	N/A
Weight / Kilogram	0.198
EAN	7316571886350
Product Group	B04264
D <sub>1</sub>	22 mm

PCMF 141617 E Bearing 2D drawings and 3D CAD models



## Lamar parts manufacturing company

$B_1$	1 mm
$c_1$ min.	0.1 mm
$c_1$ max.	0.6 mm
$c_2$ min.	0.2 mm
$c_2$ max.	1 mm
$\pm 8$	20 °
r max.	1 mm
Tolerance shaft	f7
Tolerance housing	H7
Basic dynamic load rating - radial direction C	16.6 kN
Basic static load rating - radial direction $C_0$	52 kN
Basic dynamic load rating - axial direction $C_a$	10 kN
Basic static load rating - axial direction $C_{0a}$	31.5 kN
Specific dynamic load factor K	80 N/mm <sup>2</sup>
Specific static load factor $K_0$	250 N/mm <sup>2</sup>
Factor depending on material and bearing type $K_M$	480
Permissible sliding velocity v min.	0 m/s
Permissible sliding velocity v max.	2 m/s
Coefficient of friction $\mu$ min.	0.03
Coefficient of friction $\mu$ max.	0.25
Mass bushing	0.0075 kg