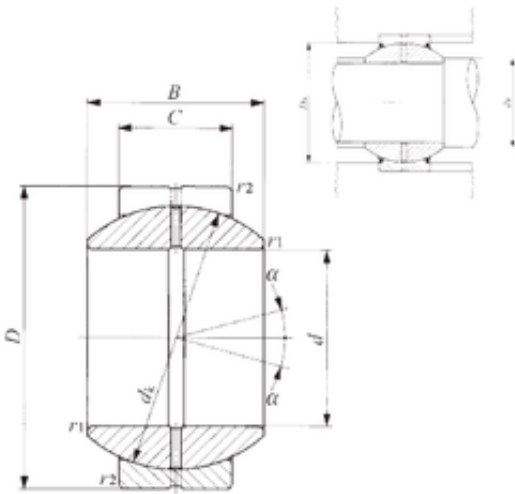




## Lamar parts manufacturing company

### 50 mm x 90 mm x 56 mm IKO GE 50GS plain bearings



Bearing No. GE 50GS

Size	50x90x56 mm
Bore Diameter	50 mm
Outer Diameter	90 mm
Width	56 mm
d	50 mm
D	90 mm
B	56 mm
C	36 mm
dk	80 mm
r1 min.	0,6 mm
r2 min.	1 mm
da min.	54,5 mm
da max	57 mm
Da min	84,5 mm
Da max.	79 mm
Angle	17 °
Weight	1,5 Kg
Basic dynamic load rating (C)	282 kN

GE 50GS Bearing 2D drawings and 3D CAD models