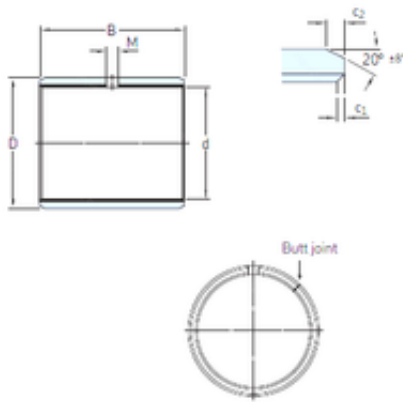




Lamar parts manufacturing company

44,45 mm x 49,213 mm x 44,45 mm SKF PCZ 2828 M plain bearings



Bearing No. PCZ 2828 M

Size	44.45x49.213x44.45 mm
Bore Diameter	44,45 mm
Outer Diameter	49,213 mm
Width	44,45 mm
d	44,45 mm
D	49,213 mm
B	44,45 mm
c1 min	0,2 mm
c2 min	1,2 mm
M	5 mm
Weight	0,11 Kg
Basic dynamic load rating (C)	232 kN
c ₁ min.	0.2 mm
c ₁ max.	1 mm
c ₂ min.	1.2 mm
c ₂ max.	2.4 mm
± 8	20 °
Shaft diameter range min.	44.112 mm
Shaft diameter range max.	44.153 mm
Housing bore range min.	49.212 mm
Housing bore range max.	49.238 mm
Basic dynamic load rating - radial direction C	232 kN
Basic static load rating - radial direction C ₀	490 kN

PCZ 2828 M Bearing 2D drawings and 3D CAD models



Lamar parts manufacturing company

Specific dynamic load factor K	120 N/mm ²
Specific static load factor K_0	250 N/mm ²
Factor depending on material and bearing type K_M	1900
Permissible sliding velocity v min.	0 m/s
Permissible sliding velocity v max.	2.5 m/s
Coefficient of friction μ min.	0.02
Coefficient of friction μ max.	0.2
Mass bushing	0.11 kg