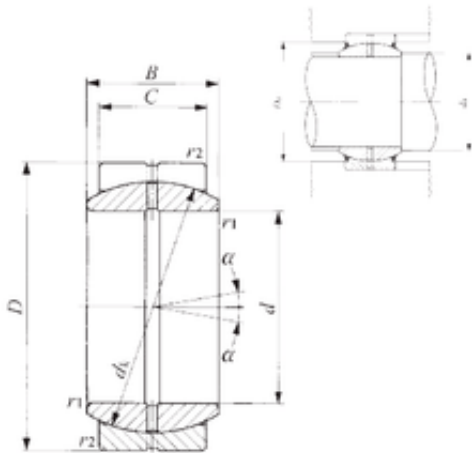




Lamar parts manufacturing company

50 mm x 75 mm x 35 mm IKO GE 50ES plain bearings



Bearing No. GE 50ES

Size	50x75x35 mm
Bore Diameter	50 mm
Outer Diameter	75 mm
Width	35 mm
d	50 mm
D	75 mm
B	35 mm
C	28 mm
dk	66 mm
r1 min.	0,6 mm
r2 min.	1 mm
da min.	54,5 mm
da max	56 mm
Da min	69,5 mm
Da max.	66 mm
Angle	6 °
Weight	0,56 Kg
Basic dynamic load rating (C)	181 kN

GE 50ES Bearing 2D drawings and 3D CAD models