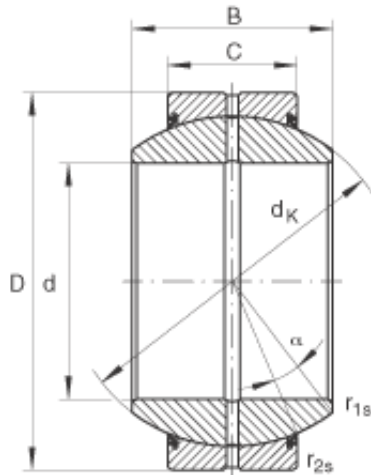




## Lamar parts manufacturing company



### INA GE60-FO-2RS plain bearings

Bearing No. GE60-FO-2RS

Size	60x105x63 mm
Bore Diameter	60 mm
Outer Diameter	105 mm
Width	63 mm
C	40 mm
$D_{a \min}$	87 mm
$d_{a \max}$	67 mm
$d_K$	92 mm
$r_{1s \min}$	1 mm
$r_{2s \min}$	1 mm
alf ( ° )	17
Weight (kg)	2
$C_r$ (N)	313000
$C_{Or}$ (N)	1560000
Category	Spherical Plain Bearings - Radial
Inventory	0.0
Manufacturer Name	SCHAEFFLER GROUP
Minimum Buy Quantity	N/A
Weight / Kilogram	2.481
EAN	4012802039269
Product Group	B04264
Self Aligning	Yes
Rolling Element	Spherical Plain
Material - Outer Member	Steel
Material - Ball	Steel

GE60-FO-2RS Bearing 2D drawings and 3D CAD models



## Lamar parts manufacturing company

Material - Liner	Not Applicable
Relubricatable	Yes
Enclosure	2 Seals
Other Features	2 Piece   Single Axial Split in Outer Ring   Wide Inner Ring with Increased Tilting Angle
Long Description	60MM Bore; 40MM Housing Width; 105MM Outside Diameter; Spherical Plain; Steel Outer Member; Steel Ball; No Liner; 63MM Overall Width; Relubricatable
Inch - Metric	Metric
Category	Plain Bearings Spherical Radial
UNSPSC	31171515
Harmonized Tariff Code	8483.30.80.70
Noun	Bearing
Keyword 3	Spherical
Keyword String	Plain Spherical Radial
Manufacturer URL	<a href="http://www.ina.com">http://www.ina.com</a>
Manufacturer Item Number	GE60FO2RS
Weight / LBS	4.41
Overall Width	2.48 Inch   63 Millimeter
Bore	2.362 Inch   60 Millimeter
Housing Width	1.575 Inch   40 Millimeter
Outside Diameter	4.134 Inch   105 Millimeter