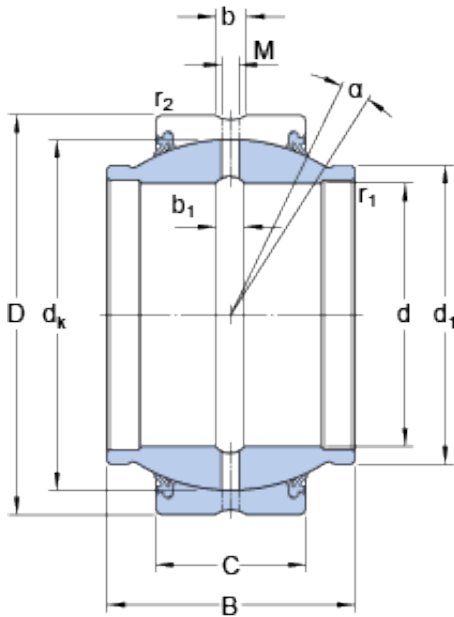




## Lamar parts manufacturing company

20 mm x 35 mm x 24 mm SKF GEM 20 ES-2RS  
plain bearings

Bearing No. GEM 20 ES-2RS



GEM 20 ES-2RS Bearing 2D drawings and 3D CAD models

Size	35x20x24 mm
Bore Diameter	35 mm
Outer Diameter	20 mm
Width	24 mm
d	20 mm
D	35 mm
B	24 mm
C	12 mm
	6 °
d <sub>k</sub>	29 mm
d <sub>1</sub>	24 mm
b	3.1 mm
b <sub>1</sub>	3.1 mm
M	2 mm
r <sub>1</sub> - min.	0.3 mm
r <sub>2</sub> - min.	0.3 mm
d <sub>a</sub> - min.	23 mm
d <sub>a</sub> - max.	24 mm
D <sub>a</sub> - min.	30.9 mm
D <sub>a</sub> - max.	33.2 mm
r <sub>a</sub> - max.	0.3 mm
r <sub>b</sub> - max.	0.3 mm
Basic dynamic load rating - C	30 kN
Basic static load rating - C <sub>0</sub>	146 kN



## Lamar parts manufacturing company

Specific factor dinamic load - K	100 N/mm <sup>2</sup>
Specific factor static load - K <sub>0</sub>	500 N/mm <sup>2</sup>
Constant - K <sub>M</sub>	330
Category	Spherical Plain Bearings - Radial
Inventory	0.0
Manufacturer Name	SKF
Minimum Buy Quantity	N/A
Weight / Kilogram	0.071
EAN	7316577105172
Product Group	B04264
Self Aligning	Yes
Rolling Element	Spherical Plain
Material - Outer Member	Steel
Material - Ball	Steel
Material - Liner	Not Applicable
Relubricatable	Yes
Enclosure	2 Seals
Other Features	2 Piece   Extended Inner Ring on Both Sides   Double Lip Seals   Lubrication Hole and an Annular Groove in Both Rings
Long Description	20MM Bore; 12MM Housing Width; 35MM Outside Diameter; Spherical Plain; Steel Outer Member; Steel Ball; No Liner; 24MM Overall Width; Relubricatable
Inch - Metric	Metric
Category	Plain Bearings Spherical Radial
UNSPSC	31171515



## Lamar parts manufacturing company

Harmonized Tariff Code	8483.30.80.70
Noun	Bearing
Keyword 3	Spherical
Keyword String	Plain Spherical Radial
Manufacturer URL	<a href="http://www.skf.com">http://www.skf.com</a>
Manufacturer Item Number	GEM 20 ES-2RS
Weight / LBS	0.161
Bore	0.787 Inch   20 Millimeter
Housing Width	0.472 Inch   12 Millimeter
Outside Diameter	1.378 Inch   35 Millimeter
Overall Width	0.945 Inch   24 Millimeter
bore diameter:	20 mm
inner ring material:	Steel
outside diameter:	35 mm
outer ring width:	12 mm
misalignment angle:	6 °
radial static load capacity:	146 kN
inner ring width:	24 mm
radial dynamic load capacity:	30 kN
bearing type:	Radial
operating temperature range:	-30 to +130 ° C ° F
lubrication type:	Requires Lubrication
overall width:	24 mm
closure type:	Sealed
manufacturer upc number:	7316577105172
outer ring material:	Steel
Lubricant	Regular relubrication – grease
Design (sliding contact surface combination)	Steel/steel
Sealing solution	Double-lip seals



## Lamar parts manufacturing company

	6 °
$d_k$	29 mm
$d_1$	24 mm
$b_1$	3.1 mm
$r_1$ min.	0.3 mm
$r_2$ min.	0.3 mm
$d_a$ min.	23 mm
$d_a$ max.	24 mm
$D_a$ min.	30.9 mm
$D_a$ max.	33.2 mm
$r_a$ max.	0.3 mm
$r_b$ max.	0.3 mm
Basic dynamic load rating C	30 kN
Basic static load rating $C_0$	146 kN
Specific dynamic load factor K	100 N/mm <sup>2</sup>
Specific static load factor $K_0$	500 N/mm <sup>2</sup>
Material constant $K_M$	330
Mass plain bearing	0.073 kg