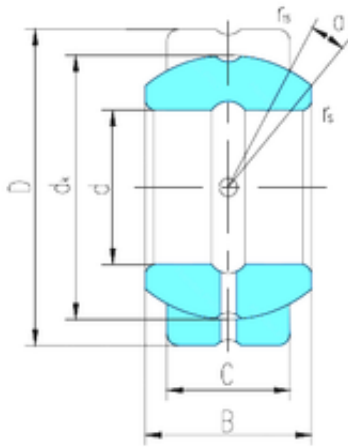




Lamar parts manufacturing company



65 mm x 105 mm x 55 mm LS GEF65ES plain bearings

Bearing No. GEF65ES

Size	65x105x55 mm
Bore Diameter	65 mm
Outer Diameter	105 mm
Width	55 mm
d	65 mm
D	105 mm
B	55 mm
C	47 mm
dk	94 mm
r min.	1 mm
r1 min.	1 mm
Angle	5 °
Weight	2,03 Kg
Basic dynamic load rating (C)	375 kN

GEF65ES Bearing 2D drawings and 3D CAD models