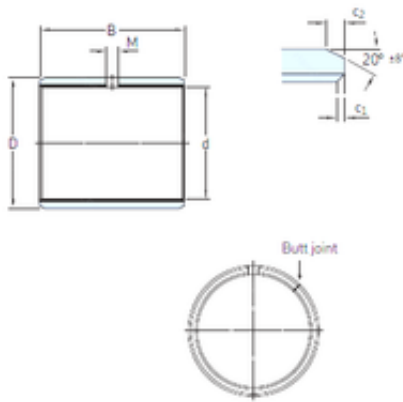




Lamar parts manufacturing company



9,525 mm x 11,906 mm x 12,7 mm SKF PCZ 0608 M plain bearings

Bearing No. PCZ 0608 M

PCZ 0608 M Bearing 2D drawings and 3D CAD models

Size	9.525x11.906x12.7 mm
Bore Diameter	9,525 mm
Outer Diameter	11,906 mm
Width	12,7 mm
d	9,525 mm
D	11,906 mm
B	12,7 mm
c1 min	0,1 mm
c2 min	0,2 mm
M	– mm
Weight	0,003 Kg
Basic dynamic load rating (C)	11,4 kN
c ₁ min.	0.1 mm
c ₁ max.	0.6 mm
c ₂ min.	0.2 mm
c ₂ max.	1 mm
± 8	20 °
Shaft diameter range min.	9.243 mm
Shaft diameter range max.	9.266 mm
Housing bore range min.	11.905 mm
Housing bore range max.	11.923 mm
Basic dynamic load rating - radial direction C	11.4 kN
Basic static load rating - radial direction C ₀	30 kN



Lamar parts manufacturing company

Specific dynamic load factor K	120 N/mm ²
Specific static load factor K_0	250 N/mm ²
Factor depending on material and bearing type K_M	1900
Permissible sliding velocity v min.	0 m/s
Permissible sliding velocity v max.	2.5 m/s
Coefficient of friction μ min.	0.02
Coefficient of friction μ max.	0.2
Mass bushing	0.003 kg