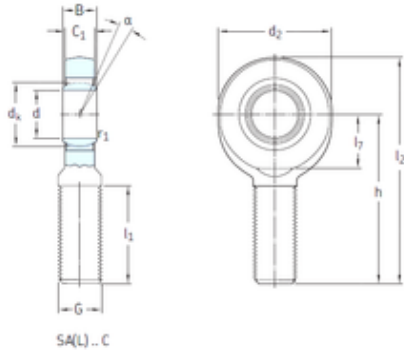




Lamar parts manufacturing company

SKF SA17C plain bearings



Bearing No. SA17C

Bore Diameter	17 mm
d	17 mm
d2 max.	47 mm
dk	25 mm
h	69 mm
l1 min.	36 mm
l2 max.	94 mm
l7 min.	22 mm
r1 min.	0,3 mm
B	14 mm
C1 max	11,5 mm
Thread (G)	M16 Tolerance 6g
Angle	10 °
Weight	0,19 Kg
Basic dynamic load rating (C)	22,4 kN

SA17C Bearing 2D drawings and 3D CAD models