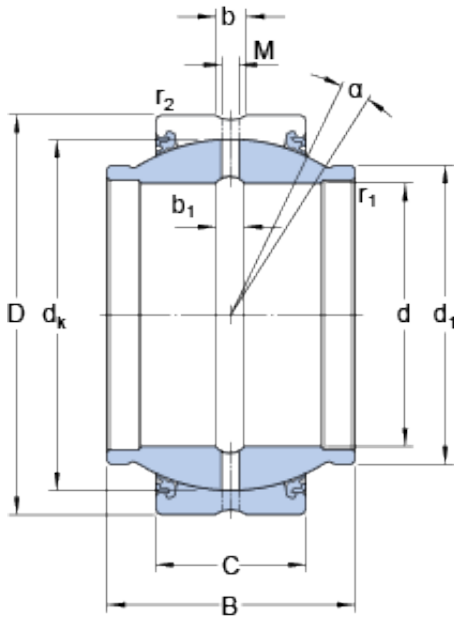




Lamar parts manufacturing company

34.925 mm x 55.563 mm x 52.375 mm SKF
GEZM 106 ESX-2LS plain bearings

Bearing No. GEZM 106 ESX-2LS



GEZM 106 ESX-2LS Bearing 2D drawings and 3D CAD models

Size	55.563x34.925x52.375 mm
Bore Diameter	55,563 mm
Outer Diameter	34,925 mm
Width	52,375 mm
d	34.925 mm
D	55.563 mm
B	52.375 mm
C	26.187 mm
	5 °
d _k	49.2 mm
d ₁	42.418 mm
b	4.8 mm
b ₁	5 mm
M	4 mm
r ₁ - min.	1 mm
r ₂ - min.	1 mm
d _a - min.	39.1 mm
d _a - max.	42.4 mm
D _a - min.	47.1 mm
D _a - max.	51.7 mm
r _a - max.	1 mm
r _b - max.	1 mm
Basic dynamic load rating - C	156 kN
Basic static load rating - C ₀	310 kN



Lamar parts manufacturing company

Specific factor dynamic load - K	150 N/mm ²
Specific factor static load - K ₀	300 N/mm ²
Constant - K _M	330
Lubricant	Maintenance free – greased for life
Design (sliding contact surface combination)	Steel/steel
Sealing solution	Triple-lip seals
	5 °
d _k	49.2 mm
d ₁	42.418 mm
b ₁	5 mm
r ₁ min.	1 mm
r ₂ min.	1 mm
d _a min.	39.1 mm
d _a max.	42.4 mm
D _a min.	47.1 mm
D _a max.	51.7 mm
r _a max.	1 mm
r _b max.	1 mm
Basic dynamic load rating C	156 kN
Basic static load rating C ₀	310 kN
Specific dynamic load factor K	150 N/mm ²
Specific static load factor K ₀	300 N/mm ²
Material constant K _M	330
Mass plain bearing	0.37 kg