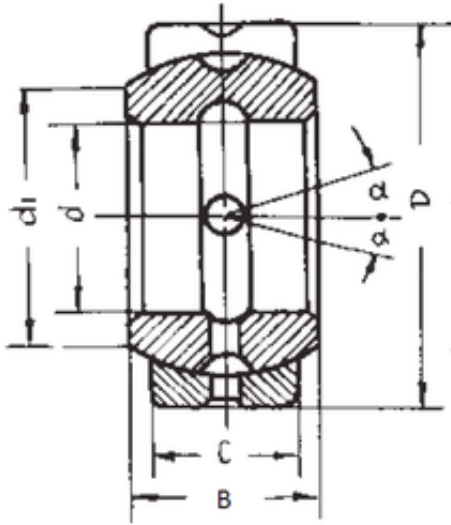




Lamar parts manufacturing company



120,65 mm x 187,325 mm x 105,562 mm FBJ
GEZ120ES plain bearings

Bearing No. GEZ120ES

Size	120.65x187.325x105.562 mm
Bore Diameter	120,65 mm
Outer Diameter	187,325 mm
Width	105,562 mm
d	120,65 mm
D	187,325 mm
B	105,562 mm
C	90,475 mm
d1	137,6 mm
Angle	6 °
Weight	11,5 Kg
Basic dynamic load rating (C)	1250 kN

GEZ120ES Bearing 2D drawings and 3D CAD models