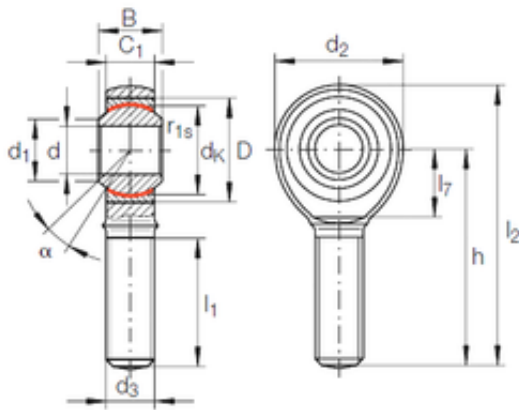




Lamar parts manufacturing company

10 mm x 22 mm x 14 mm INA GAKR 10 PW plain bearings



Bearing No. GAKR 10 PW

Size	10x22x14 mm
Bore Diameter	10 mm
Outer Diameter	22 mm
Width	14 mm
d	10 mm
D	22 mm
B	14 mm
d1	12,9 mm
d2	28 mm
dk	19,05 mm
h	48 mm
l1 min.	28 mm
l2 max.	62 mm
r1 min.	0,3 mm
C1	10,5 mm
Thread (G)	M10
Angle	13 °
Weight	0,055 Kg
Basic dynamic load rating (C)	18 kN

GAKR 10 PW Bearing 2D drawings and 3D CAD models