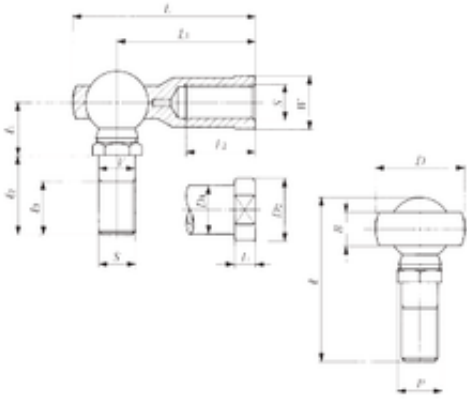




IKO LHS 20 plain bearings



LHS 20 Bearing 2D drawings and 3D CAD models

Bearing No. LHS 20

P	24 mm
V	20 mm
?1	30 mm
?2	43 mm
?3	27 mm
L2	43 mm
d3	34,925 mm
l1 min.	10 mm
B	18 mm
D	49 mm
D1	27,5 mm
D2	34 mm
L	101,5 mm
L1	77 mm
W	30 mm
?	90,5 Tolerance h14
Thread (G)	M20 × 1,5
Weight	0,58 Kg