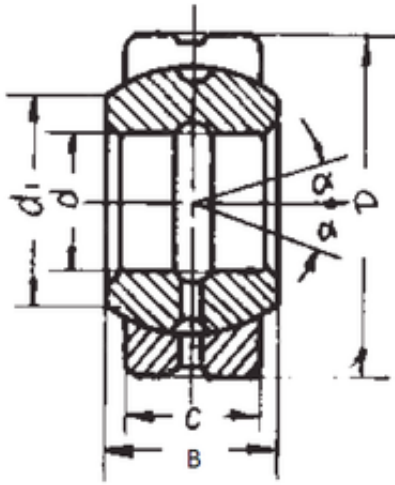




Lamar parts manufacturing company



240 mm x 370 mm x 190 mm FBJ GEG240ES
plain bearings

Bearing No. GEG240ES

Size	240x370x190 mm
Bore Diameter	240 mm
Outer Diameter	370 mm
Width	190 mm
d	240 mm
D	370 mm
B	190 mm
C	110 mm
d1	263 mm
Angle	15 °
Weight	65,12 Kg
Basic dynamic load rating (C)	3050 kN

GEG240ES Bearing 2D drawings and 3D CAD models