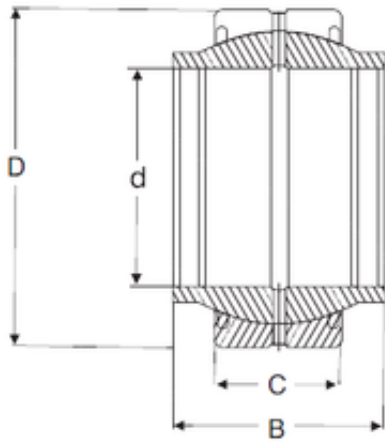




Lamar parts manufacturing company

50 mm x 75 mm x 43 mm SIGMA GEM 50 ES-2RS plain bearings



Bearing No. GEM 50 ES-2RS

Size	50x75x43 mm
Bore Diameter	50 mm
Outer Diameter	75 mm
Width	43 mm
d	50 mm
D	75 mm
B	43 mm
C	28 mm

GEM 50 ES-2RS Bearing 2D drawings and 3D CAD models