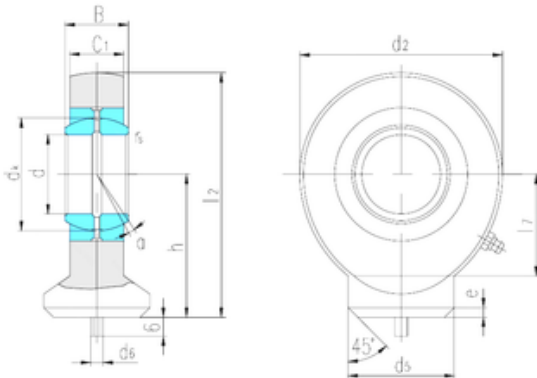




Lamar parts manufacturing company



LS SK40ES plain bearings

Bearing No. SK40ES

Bore Diameter	40 mm
d	40 mm
B	28 mm
d2	92 mm
d6	5 mm
dk	53 mm
h	69 mm
l1 min.	115 mm
l2 max.	48 mm
l7 min.	52 mm
r min.	0,6 mm
C1	23 mm
Angle	7 °
d5	4 r/min
Weight	1,4 Kg
Basic dynamic load rating (C)	99 kN

SK40ES Bearing 2D drawings and 3D CAD models