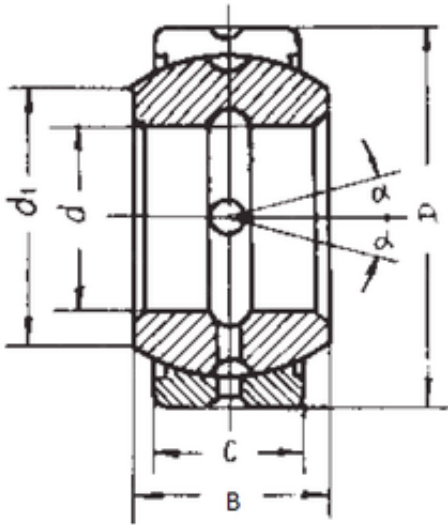




## Lamar parts manufacturing company



63,5 mm x 100,013 mm x 55,55 mm FBJ  
GEZ63ES-2RS plain bearings

Bearing No. GEZ63ES-2RS

Size	63.5x100.013x55.55 mm
Bore Diameter	63,5 mm
Outer Diameter	100,013 mm
Width	55,55 mm
d	63,5 mm
D	100,013 mm
B	55,55 mm
C	47,625 mm
d1	73,3 mm
Angle	6 °
Weight	1,85 Kg
Basic dynamic load rating (C)	355 kN

GEZ63ES-2RS Bearing 2D drawings and 3D CAD models