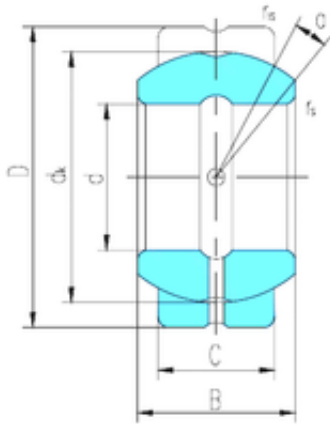




Lamar parts manufacturing company



88,9 mm x 149,225 mm x 90,424 mm LS
GEGZ88ES-2RS plain bearings

Bearing No. GEGZ88ES-2RS

Size	88.9x149.225x90.424 mm
Bore Diameter	88,9 mm
Outer Diameter	149,225 mm
Width	90,424 mm
d	88,9 mm
D	149,225 mm
B	90,424 mm
C	71,425 mm
dk	137 mm
r min.	1 mm
r1 min.	1 mm
Angle	14 °
Weight	6,81 Kg
Basic dynamic load rating (C)	780 kN

GEGZ88ES-2RS Bearing 2D drawings and 3D CAD models