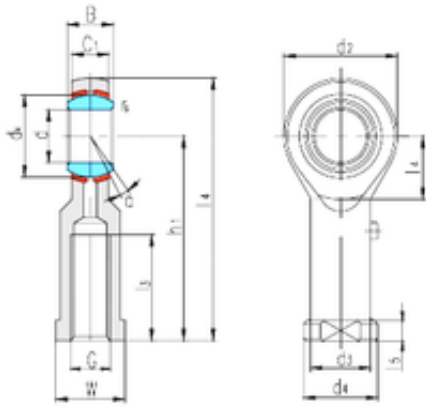




Lamar parts manufacturing company

LS SIBP12S plain bearings



SIBP12S Bearing 2D drawings and 3D CAD models

Bearing No. SIBP12S

Bore Diameter	12 mm
d	12 mm
B	16 mm
d2	30 mm
d3	17,5 mm
d4	22 mm
dk	22,23 mm
h1	50 mm
l3 min.	24 mm
l4 max.	65 mm
l5	6,5 mm
l7 min.	15 mm
r min.	0,3 mm
C1	12 mm
W	19 mm
Thread (G)	M12
Angle	13 °
Weight	0,108 Kg
Basic dynamic load rating (C)	13 kN