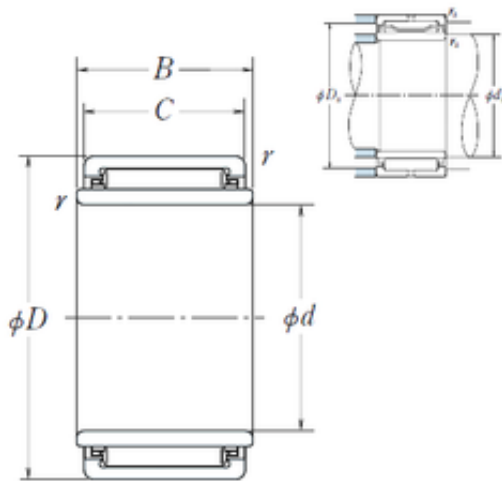




## Lamar parts manufacturing company



### 20 mm x 32 mm x 25,2 mm NSK LM2525 needle roller bearings

Bearing No. LM2525

|                               |               |
|-------------------------------|---------------|
| Size                          | 20x32x25.2 mm |
| Bore Diameter                 | 20 mm         |
| Outer Diameter                | 32 mm         |
| Width                         | 25,2 mm       |
| d                             | 20 mm         |
| Fw                            | 25 mm         |
| D                             | 32 mm         |
| B                             | 25,2 mm       |
| C                             | 25 mm         |
| r min.                        | 0,5 mm        |
| da min.                       | 24 mm         |
| Da max.                       | 28 mm         |
| ra max.                       | 0,5 mm        |
| Weight                        | 0,076 Kg      |
| Basic dynamic load rating (C) | 22,7 kN       |
| Basic static load rating (C0) | 37,5 kN       |
| (Grease) Lubrication Speed    | 8500 r/min    |
| hidYobi                       | LM2525        |
| LangID                        | 1             |
| D_                            | 32            |
| B_                            | 25.2          |
| hidTable                      | ecat_NSMRNR   |
| GRS rpm                       | 8500          |
| ra                            | 0.5           |
| da_min                        | 24            |

LM2525 Bearing 2D drawings and 3D CAD models



## Lamar parts manufacturing company

|            |          |
|------------|----------|
| d2         | 20       |
| C0         | 37.5     |
| C1_        | 25       |
| DE_        | 30       |
| SLR        | 19.8     |
| Prod_Type3 | NRB_S_LM |
| DA_        | 2.5      |
| Z_         | 20       |
| SI         | 25       |
| yobi       | LM2525   |
| da_max     | 28       |
| OIL rpm    | 14000    |
| SDM_       | 27.5     |
| r          | 0.5      |
| KBRG       | 8352     |
| mass2      | 0.076    |
| B1         | 25.2     |