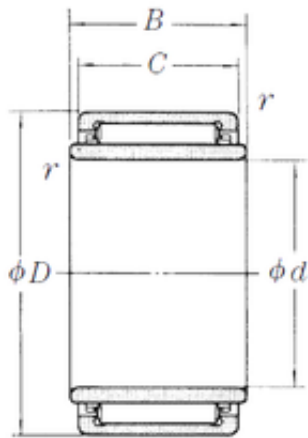




## Lamar parts manufacturing company



25 mm x 38 mm x 20,2 mm NSK LM2920  
needle roller bearings

Bearing No. LM2920

Size	25x38x20.2 mm
Bore Diameter	25 mm
Outer Diameter	38 mm
Width	20,2 mm
d	25 mm
Fw	29 mm
D	38 mm
B	20,2 mm
C	20 mm
r min.	0,5 mm
Weight	0,079 Kg
Basic dynamic load rating (C)	25,1 kN
Basic static load rating (C0)	36 kN

LM2920 Bearing 2D drawings and 3D CAD models