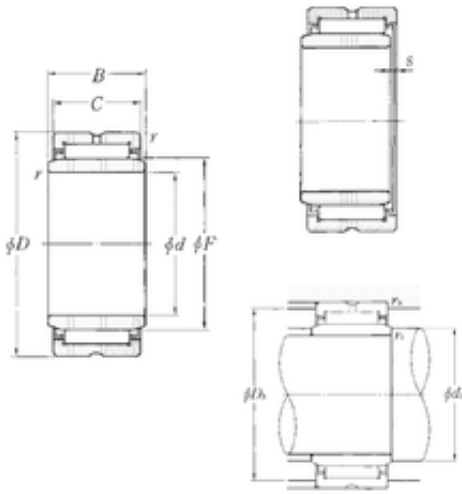




Lamar parts manufacturing company



98,425 mm x 152,4 mm x 57,4 mm NTN
MR729636+MI-627236 needle roller bearings

Bearing No. MR729636+MI-627236

Size	98.425x152.4x57.4 mm
Bore Diameter	98,425 mm
Outer Diameter	152,4 mm
Width	57,4 mm
d	98,425 mm
F	114,3 mm
D	152,4 mm
B	57,4 mm
C	57,15 mm
r min.	2,5 mm
s	5,5 mm
da min.	107,5 mm
Da max.	143,5 mm
ra max.	2,5 mm
Weight	3,77 Kg
Basic dynamic load rating (C)	238 kN
Basic static load rating (C0)	435 kN
(Grease) Lubrication Speed	2 300 r/min

MR729636+MI-627236 Bearing 2D drawings and 3D CAD models