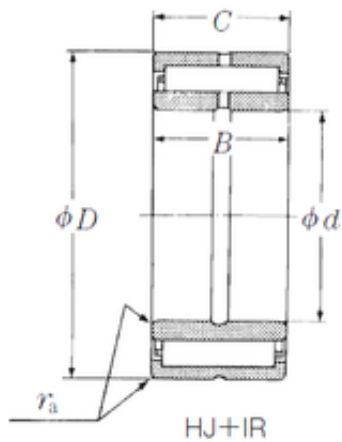




Lamar parts manufacturing company



95,25 mm x 152,4 mm x 63,5 mm NSK
HJ-729640 + IR-607240 needle roller bearings

Bearing No. HJ-729640 + IR-607240

Size	95.25x152.4x63.5 mm
Bore Diameter	95,25 mm
Outer Diameter	152,4 mm
Width	63,5 mm
d	95,25 mm
Fw	114,3 mm
D	152,4 mm
B	63,5 mm
C	63,5 mm
ra max.	2,5 mm
Weight	7,65 Kg
Basic dynamic load rating (C)	325 kN
Basic static load rating (C0)	600 kN

HJ-729640 + IR-607240 Bearing 2D drawings and 3D CAD models