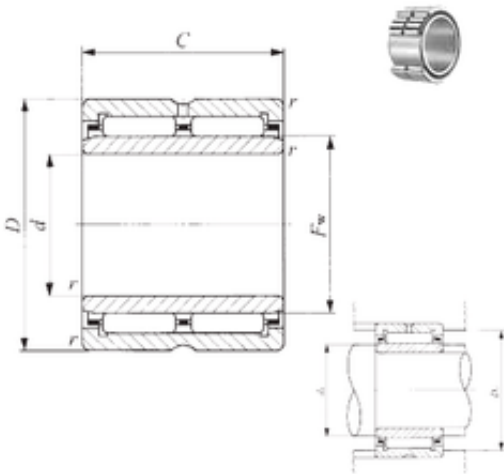




Lamar parts manufacturing company

75 mm x 105 mm x 54 mm IKO NA 6915 needle roller bearings

Bearing No. NA 6915



NA 6915 Bearing 2D drawings and 3D CAD models

Size	75x105x54 mm
Bore Diameter	75 mm
Outer Diameter	105 mm
Width	54 mm
d	75 mm
Fw	85 mm
D	105 mm
B	54 mm
C	54 mm
r min.	1 mm
da min.	80 mm
da max	83 mm
Da max.	100 mm
S	1 mm
Weight	1,48 Kg
Basic dynamic load rating (C)	138 kN
Basic static load rating (C0)	331 kN