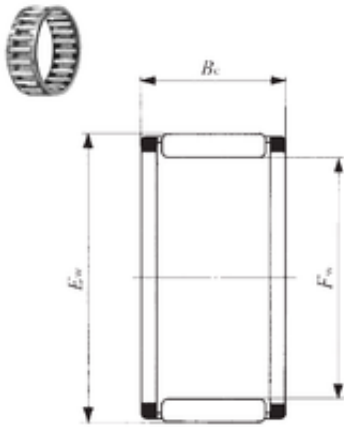




Lamar parts manufacturing company

IKO KT 404825 needle roller bearings



Bearing No. KT 404825

Bore Diameter	40 mm
Outer Diameter	48 mm
Fw	40 mm
Ew	48 mm
Bc	25 mm
Weight	0,0645 Kg
Basic dynamic load rating (C)	39,3 kN
Basic static load rating (C0)	64 kN

KT 404825 Bearing 2D drawings and 3D CAD models