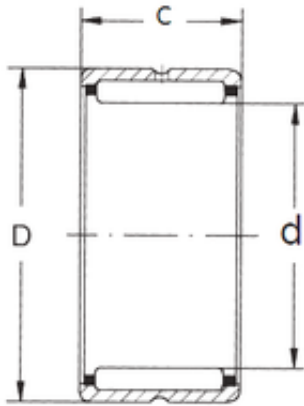




Lamar parts manufacturing company

FBJ NK68/35 needle roller bearings



Bearing No. NK68/35

Size	68x82x35 mm
Bore Diameter	68 mm
Outer Diameter	82 mm
Width	35 mm
d	68 mm
D	82 mm
C	35 mm
Weight	0,338 Kg
Basic dynamic load rating (C)	63 kN
Basic static load rating (C0)	139 kN
(Grease) Lubrication Speed	4000 r/min

NK68/35 Bearing 2D drawings and 3D CAD models