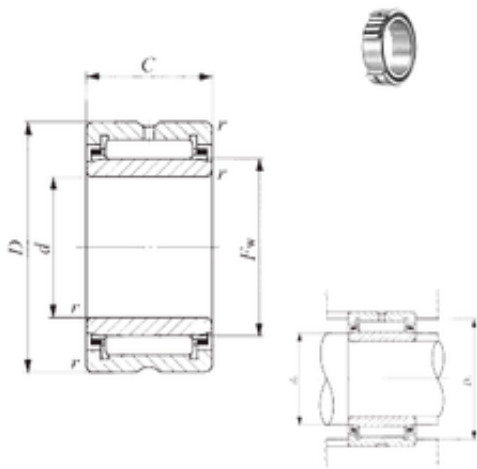




Lamar parts manufacturing company



240 mm x 460 mm x 118 mm IKO NA 4968
needle roller bearings

Bearing No. NA 4968

Size	240x460x118 mm
Bore Diameter	240 mm
Outer Diameter	460 mm
Width	118 mm
d	240 mm
Fw	380 mm
D	460 mm
B	118 mm
C	118 mm
r min.	3 mm
da min.	353 mm
da max	377 mm
Da max.	447 mm
S	4 mm
Weight	18 Kg
Basic dynamic load rating (C)	1220 kN
Basic static load rating (C0)	3020 kN

NA 4968 Bearing 2D drawings and 3D CAD models