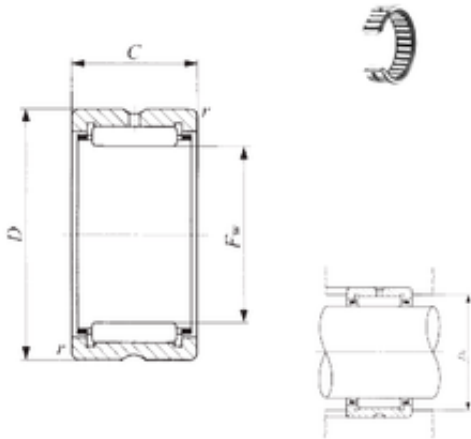




## Lamar parts manufacturing company

### IKO BR 283820 needle roller bearings



Bearing No. BR 283820

Size	44.45x60.325x31.75 mm
Bore Diameter	44,45 mm
Outer Diameter	60,325 mm
Width	31,75 mm
Fw	44,45 mm
D	60,325 mm
C	31,75 mm
Da max.	53,1 mm
ra max.	1,5 mm
Weight	0,25 Kg
Basic dynamic load rating (C)	58,9 kN
Basic static load rating (C0)	103 kN

BR 283820 Bearing 2D drawings and 3D CAD models